

Instructions

If insulation is not being installed skip Steps 1 and 2.

Important : Read through all of the instructions before commencing with the installation and refer to the checklist below during installation.

Installation Checklist	✓
Correct Screws Used	
Screws do not puncture the cladding skin	
Sufficient Expansion Gaps Allowed	
Correct Batten Size Used (25mm)	
Battens Fixed at Correct Centres (400mm)	
Cladding Screw Fixed at Every Batten	
Ventilation Profile Installed at Top and Bottom	

Maintenance:

Freefoam cladding requires very little maintenance. High Pressure cleaning is possible (half power). Do not use solvents or aggressive cleaning products.

Storage:

Prior to installation cladding should be stored out of direct sunlight. Check the cladding surface for damage prior to installation. Complaints of surface defects will not be accepted after installation is complete.

Installation instructions

Only use corrosion resistant screws for fixing cladding planks and accessories. The recommended minimum expansion gaps at ends and between cladding planks (See Diagram 11, 12, 13 & 14) should be strictly adhered to.

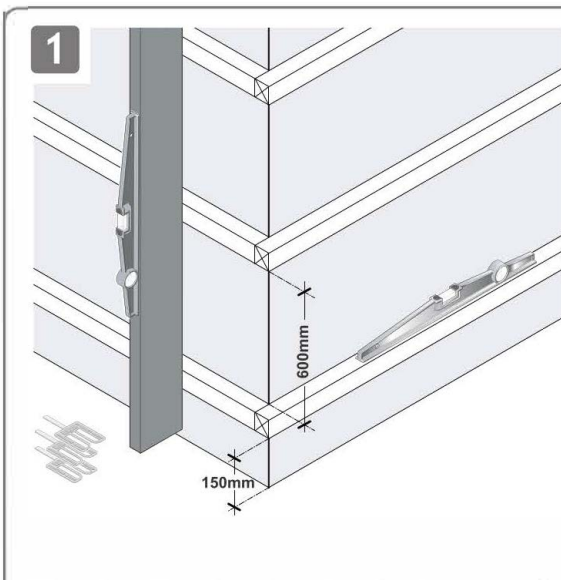
A minimum of 25mm ventilation space should be allowed between the cladding and the breather membrane, insulation or wall.

Ensure that all installations comply with local building regulations.

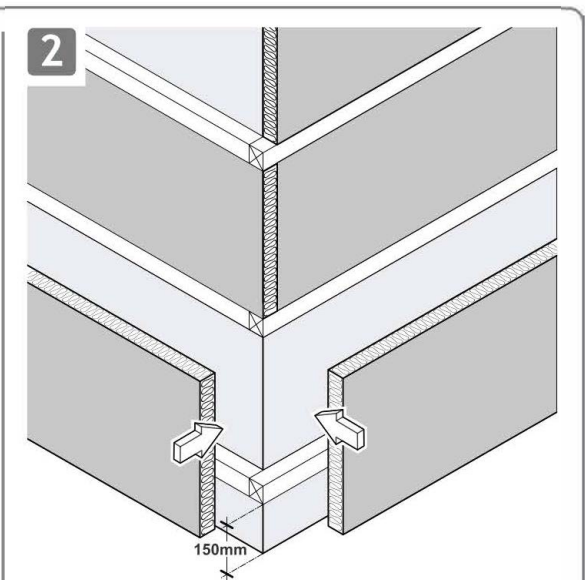
Where a cladding panel exceeds 6m in height, a horizontal break should be provided by use of a drip trim to facilitate ventilation openings. See figure 17a.

A vertical break is sometimes required to comply with building regulations or at existing movement joints. See figure 17b.

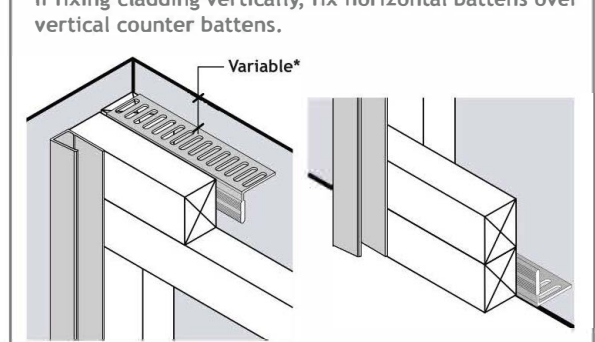
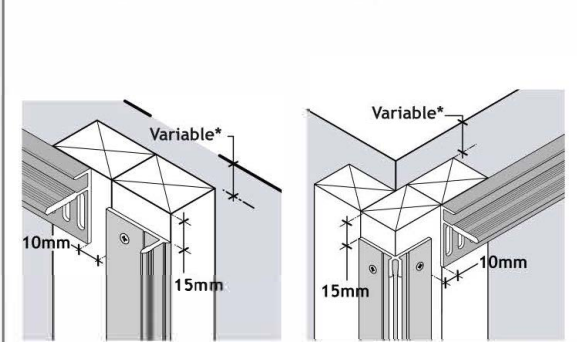
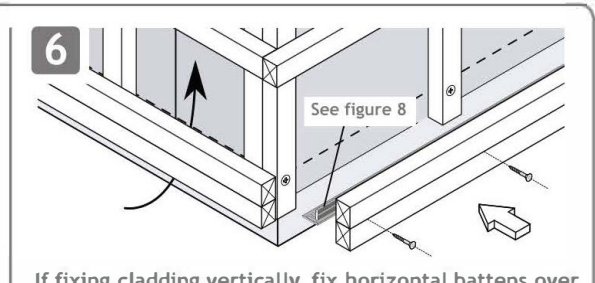
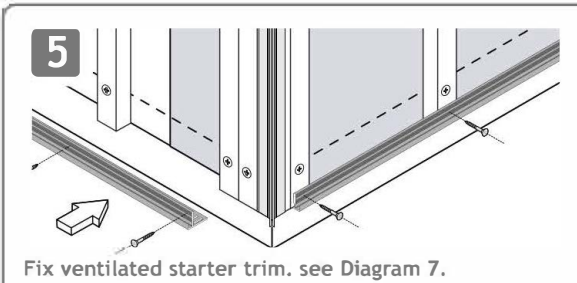
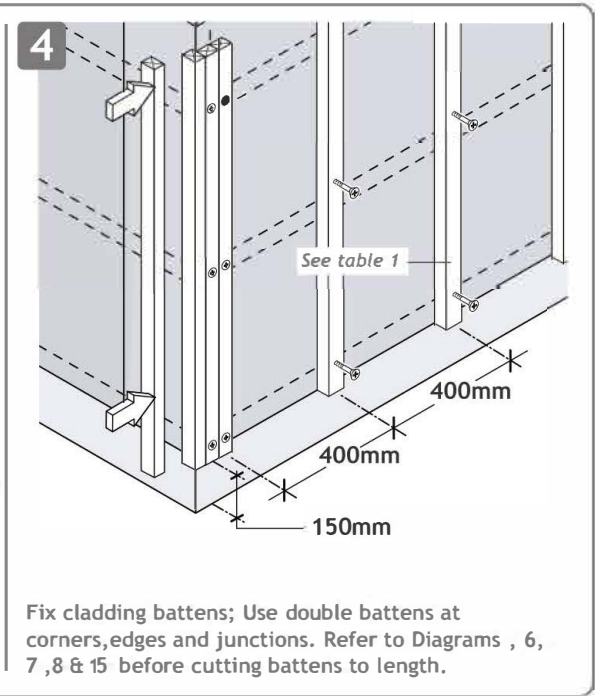
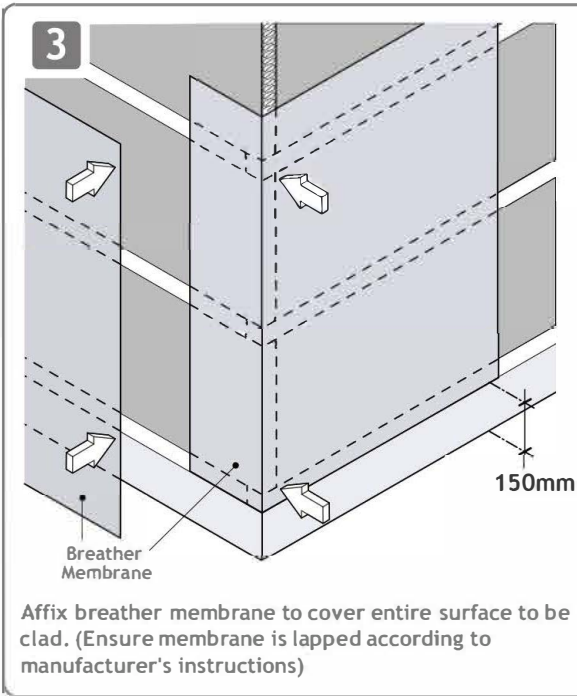
The guidance for provision of expansion and ventilation applies in all cases, including gable ends, dormers, bay windows etc.



Affix softwood counter battens to suit chosen insulation in accordance with the spacings specified. Secure with suitable screws.



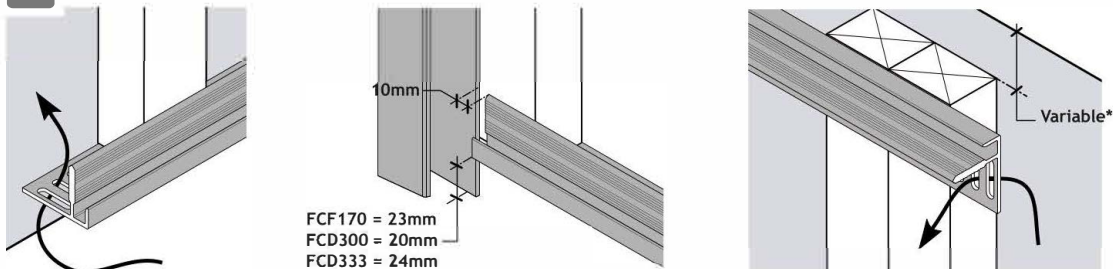
Place your thermal insulation between the counter battens with reference to insulation manufacturers instructions.



Fix 1 part trims, first part of 2 part trims & vented starter trims. Refer to Diagrams 5, 6, 7 & 8.

7

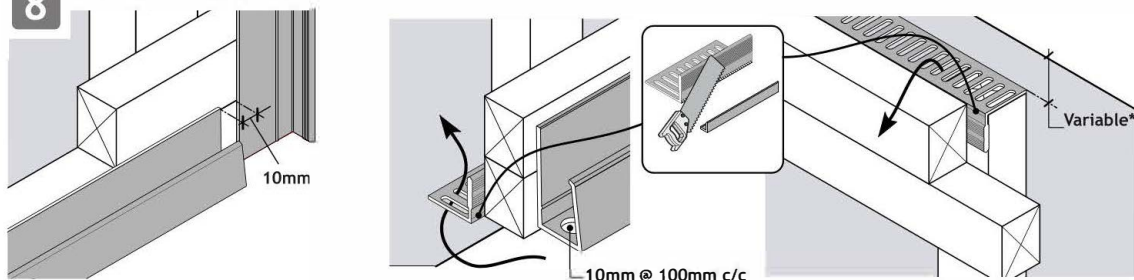
PVC Vented Starter/Closer



*Allow space for fixing cover trim if required. See figure 14

8

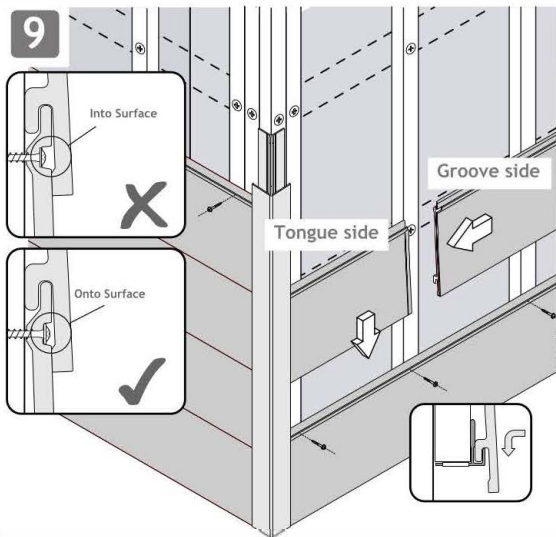
Vertical Cladding Details



*Allow space for fixing cover trim if required. See figure 14

Both multifunction & standard trims can be used for vertical and horizontal cladding

9

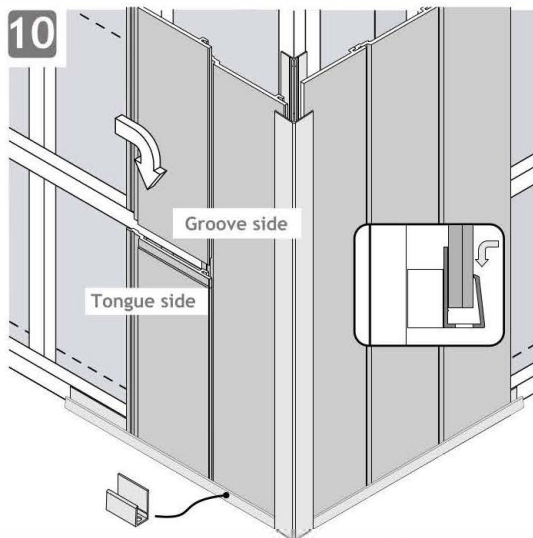


Slot the first row of cladding planks into the vented starter trim. (or starter trim) and finishing Trims. Allow expansion gaps at all edges and junctions. See Diagrams 11, 12, 13 & 14.

Do not drive the screw or nail through the surface of the cladding as this will prevent the plank from moving if it expands.

Install the cladding planks from left to right and secure with 3.5 x 30mm corrosion resistant screws. Do not use excessive force during the installation and screwing.

10



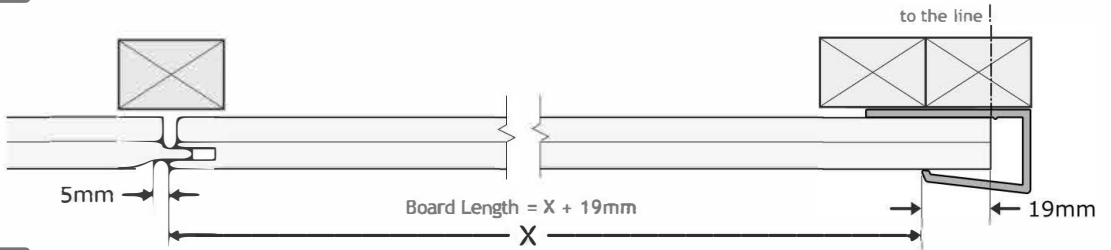
slot vertical planks into a J trim with 10mm drainage holes drilled at 100mm centres. Allow expansion gaps at all edges and junctions. See Diagrams 11, 12 & 13.

Do not drive the screw or nail through the surface of the cladding as this will prevent the plank from moving if it expands.

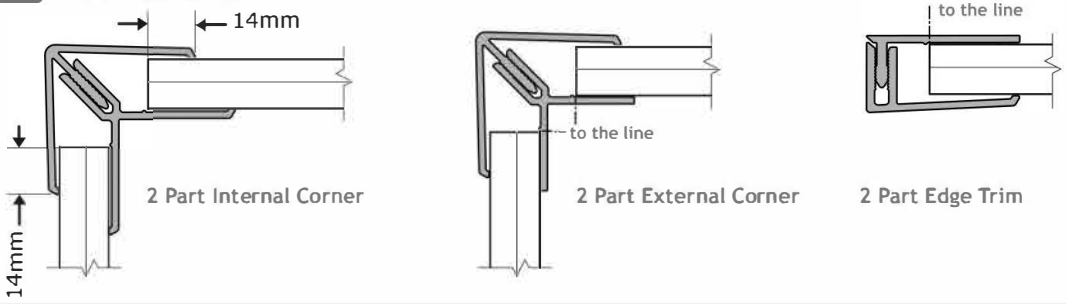
Install vertical cladding planks from right to left and secure with 3.5 x 30mm corrosion resistant screws. Do not use force during the installation and screwing.

When all cladding is in place. Fix second parts of finishing trims. See figures 13 & 15

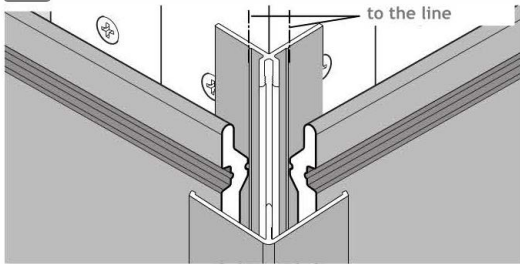
11 Expansion



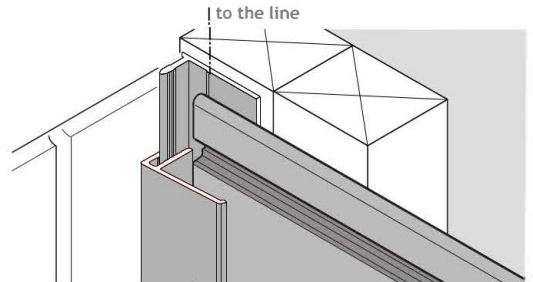
12 3 Series Trims



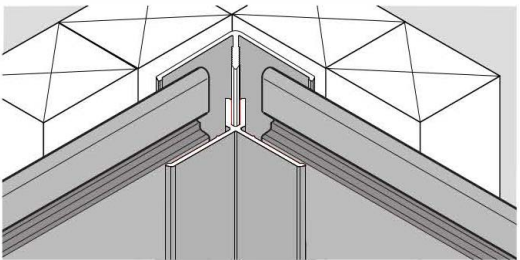
13 3 Series Trim Details



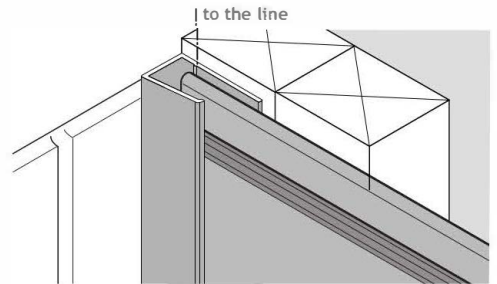
External Corner Trim



2 Part Edge Trim

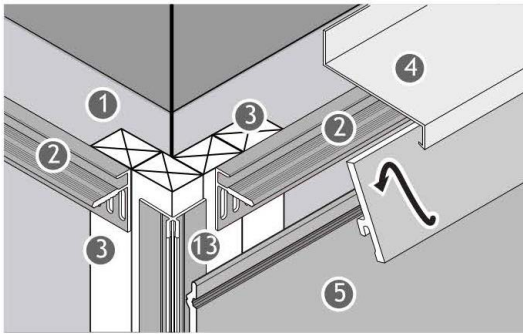
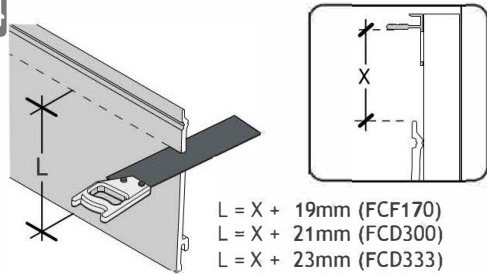


Internal Corner Trim



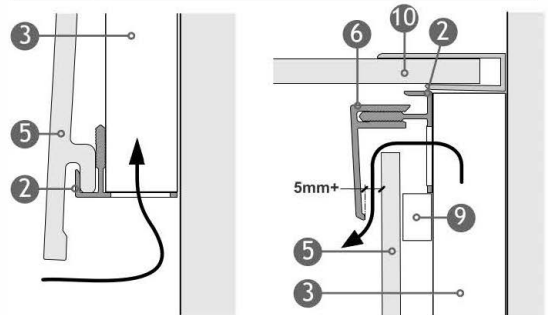
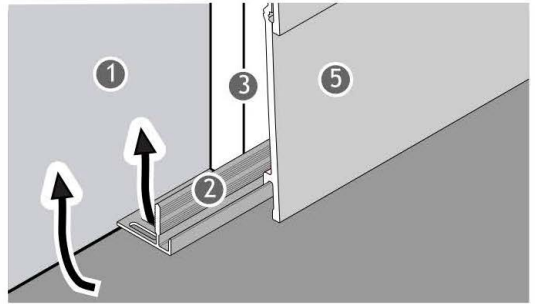
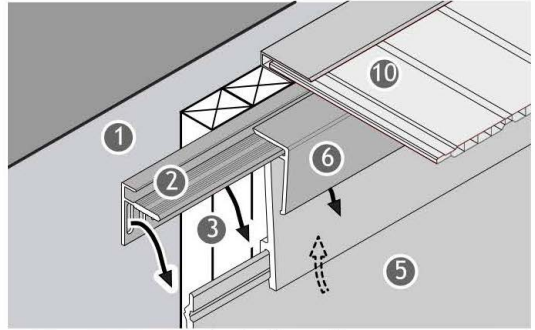
1 Part Edge Trim

14



Fix vented starter/closer trim. Refer to Diagrams 7 & 8. Cut your cladding plank using the formula given.

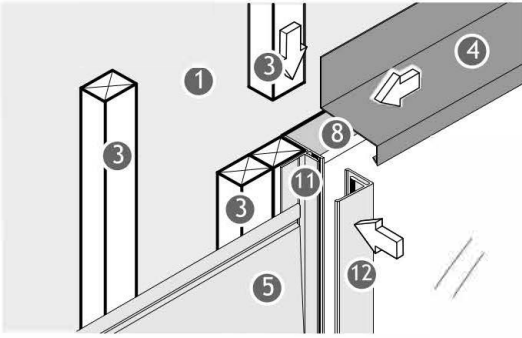
Ventilation detail



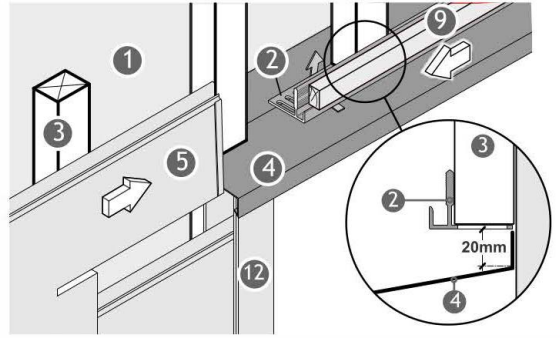
- | | | |
|-------------------------------------|------------------------------------|-----------------------------------|
| 1 Breather Membrane* | 6 FC311E3 Ventilated Closer | 11 FC319 Reveal Liner - Part 1 |
| 2 FC3123 Ventilated Starter/Closer | 7 Cill* | 12 FC319 Reveal Liner - Part 2 |
| 3 Pre-treated softwood battens Drip | 8 GPB General Purpose Board/Soffit | 13 FC304 Ext Corner Trim - Part 1 |
| 4 Drip Trim* | 9 Timber Packing | 14 FC302 Universal Edge Trim |
| 5 Cladding | 10 Soffit | 15 FC318 Reveal Liner Edge Trim |
- *not manufactured by Freefoam Building Products

15a

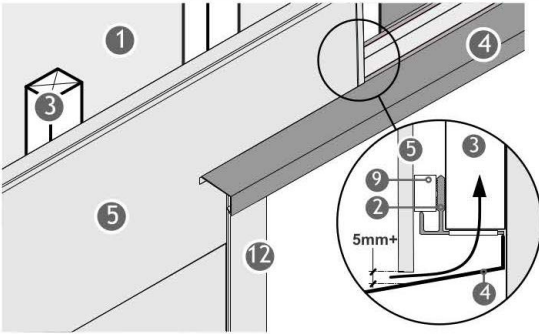
Window jamb with FC319 Reveal Liner 1/3

**15b**

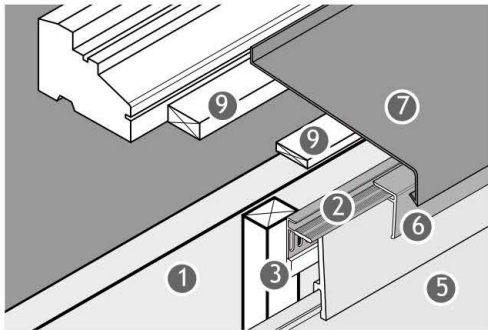
Window jamb with FC319 Reveal Liner 2/3

**15c**

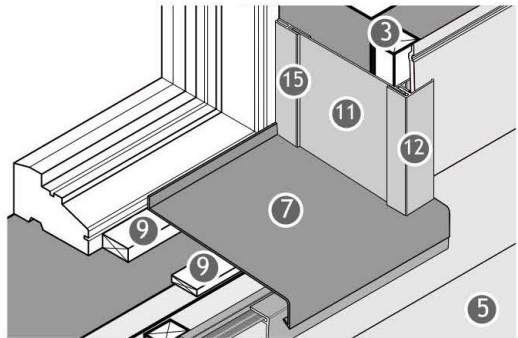
Window jamb with FC319 Reveal Liner 3/3

**16**

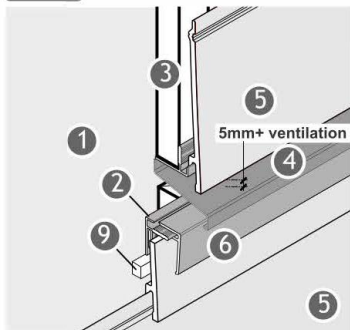
Window Cill detail

**16a**

Window Cill & Jamb Junction

**17a**

Horizontal break

**17b**

Vertical break

